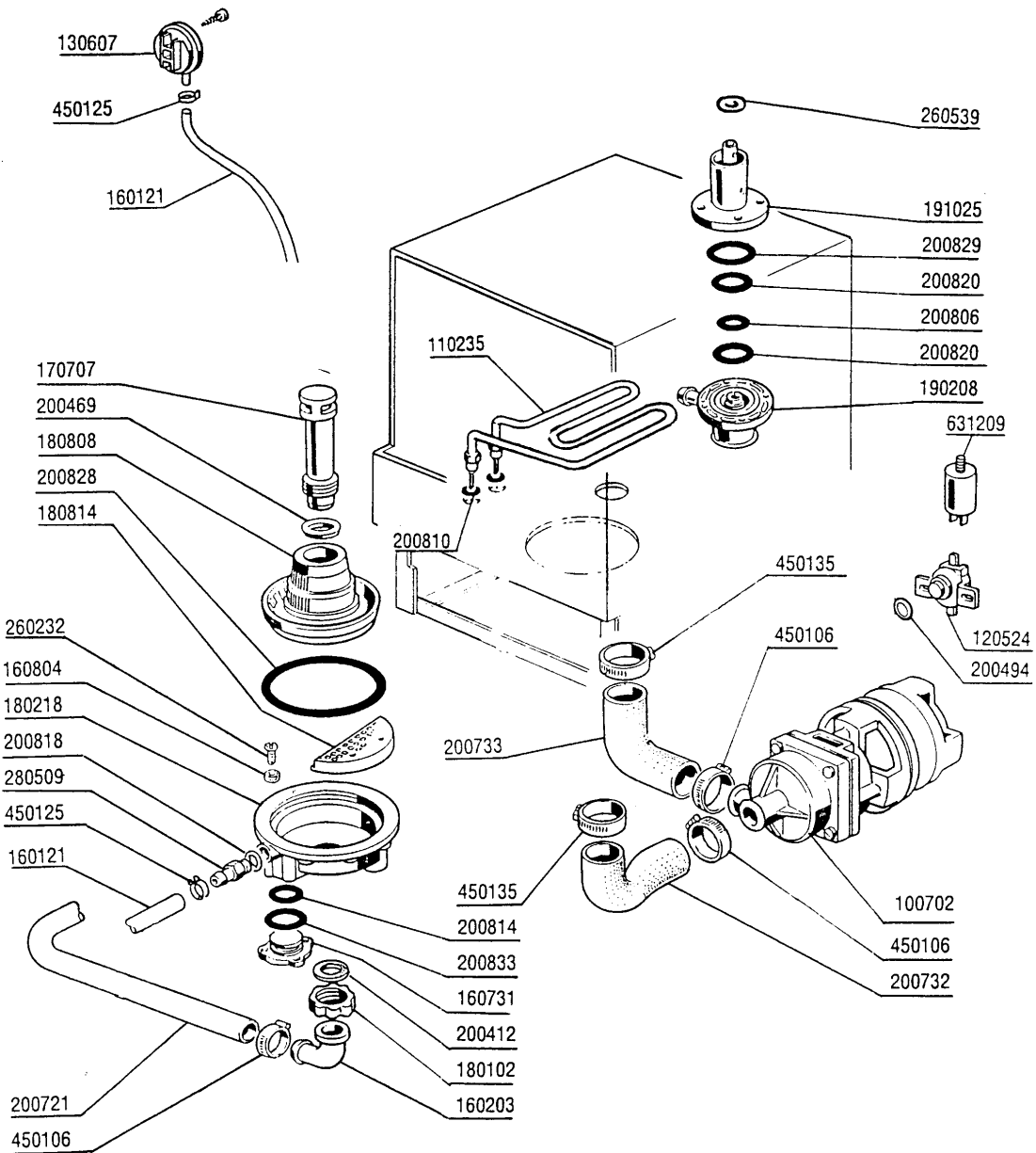


2 - Hood

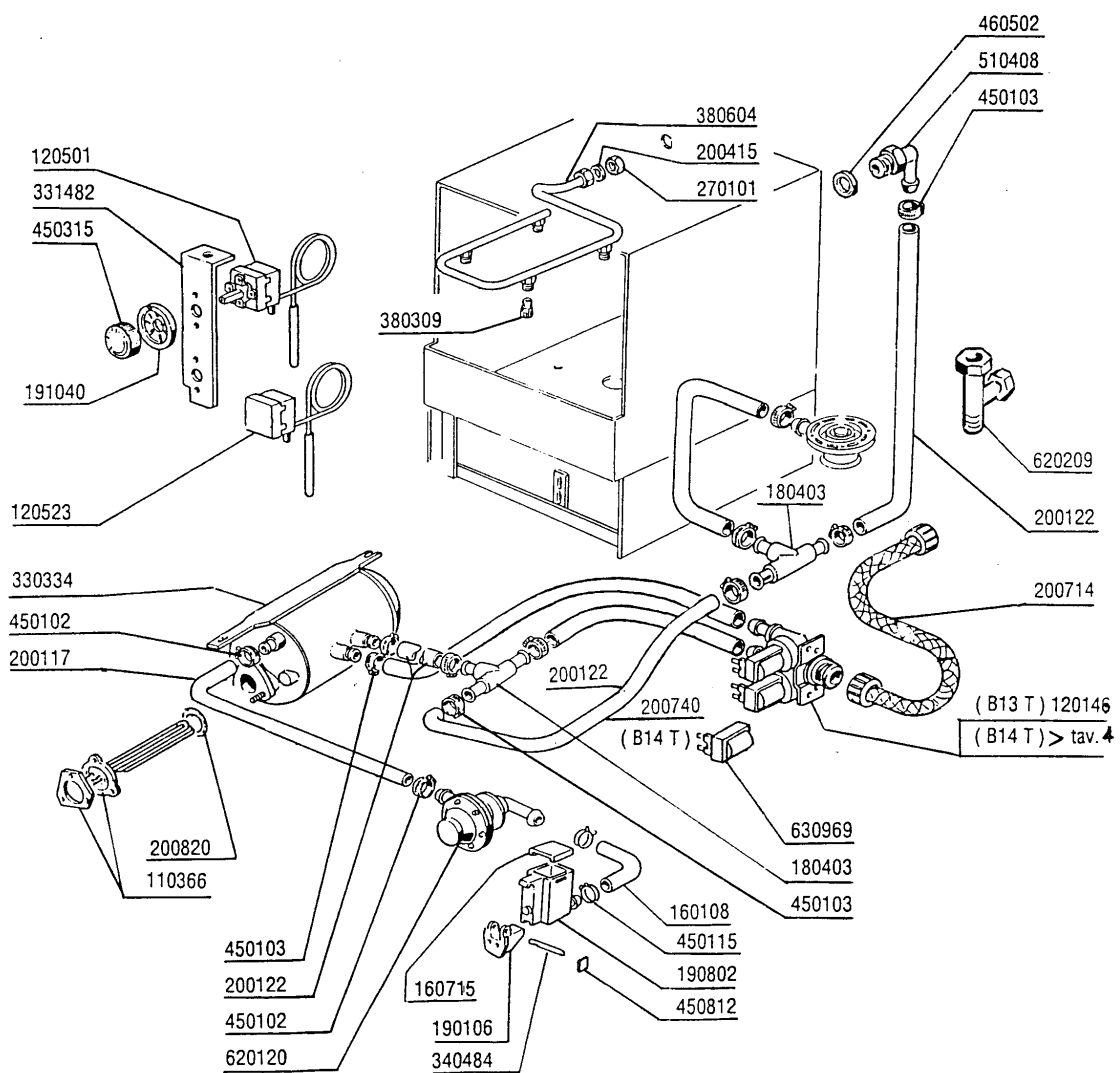
CODE	DESCRIPTION
120341	MICRO SWITCH B13T-B14T MF35
160755	PLUG FOR MACHINES WITHOUT SOFT
161104	BACK PANEL B25-11-12-18‡
180127	LOCK NUT FOR PLUG
190805	HOUSING
200489	GASKET 81X68X3
200901	DOOR GASKET B-F
210204	FOOT FOR B20-10-11-12-15 ‡
210405	PLUG FOR HANDLE
300156	SCREW 5MAX20 F.PLATE B10
310212	BLIND NUT M6 BLACK NYLON
320667	DOOR SUPPORT REINFORCEMENT
321802	DOOR HINGE B-F
322901	DOOR B13T-B14T
341218	HINGE PIN B-F-G
341440	HOOD B13-B14
381403	DOOR CATCH
411002	PERMANENT MAGNET 24X12



3 - Wash

CODE	DESCRIPTION
100702	PUMP HP 0,3 220/240-50-2229
110235	HEAT. ELEMENT/TANK 1800W 230V
120524	TANKTHERMOSTAT GLASSWASHER
130607	PRESSURE SWITCH 105/85 1 LEVE
160121	HOSE EPDM D. 5 X 9
160203	ELBOW 1"1/2 N-S-F-C /DRAIN
160731	PLUG
160804	GASKET D.6
170707	OVERFLOW PIPE H140-F2-45-55-R
180102	DRAIN PIPE NUT 1"1/2 F45-55
180218	SUCTION BASIN F2-B41
180808	STRAINER F2-45-55-80
180814	PROTECT.FILTER OF INLET PUMPE
190208	BOTTOM TEE WASH/RINSE B15-16-1
191025	LOWER WASH ARM SUPP.B-F
200412	GASKET DRAIN 11/2" 45X33X3
200469	STAND PIPE O RING 45X35,5X7
200494	GASKET FOR TANKTHERMOSTAT BT
200721	DRAIN HOSE 28X35 2MT.
200732	PUMP INLET HOSE B15/16/18/19 ‡
200733	OUTLET HOSE B15/16/18/19
200806	O-RING 2,62X13,10X18,34
200810	O-RING 2,62X9,92X15,6 F.GLASSW
200814	O-RING 34,52X41,58X3,53
200818	O-RING 1,78 X 6,75 X 10,31
200820	O-RING151 46,99X5,33X57,6
200828	O-RING 183,75X190,81X3,53
200829	O-RING 81,92X92,58X5,33
200833	O-RING 30X41X44,56
260232	STAINL.ST TB SCREW 6X25 B15-6-
260539	REDUCT.WASHER F.LOWER WASH ARM
280509	CONNECT.F.PRESS.SWITCH
450106	CLAMP FE ZN 32-44 H=12,2
450125	ELASTIC CLAMP D. 10,4X9,8
450135	CLAMP FE ZN. 44-56 H=12,2
631209	ANTI-NOISE FILTER

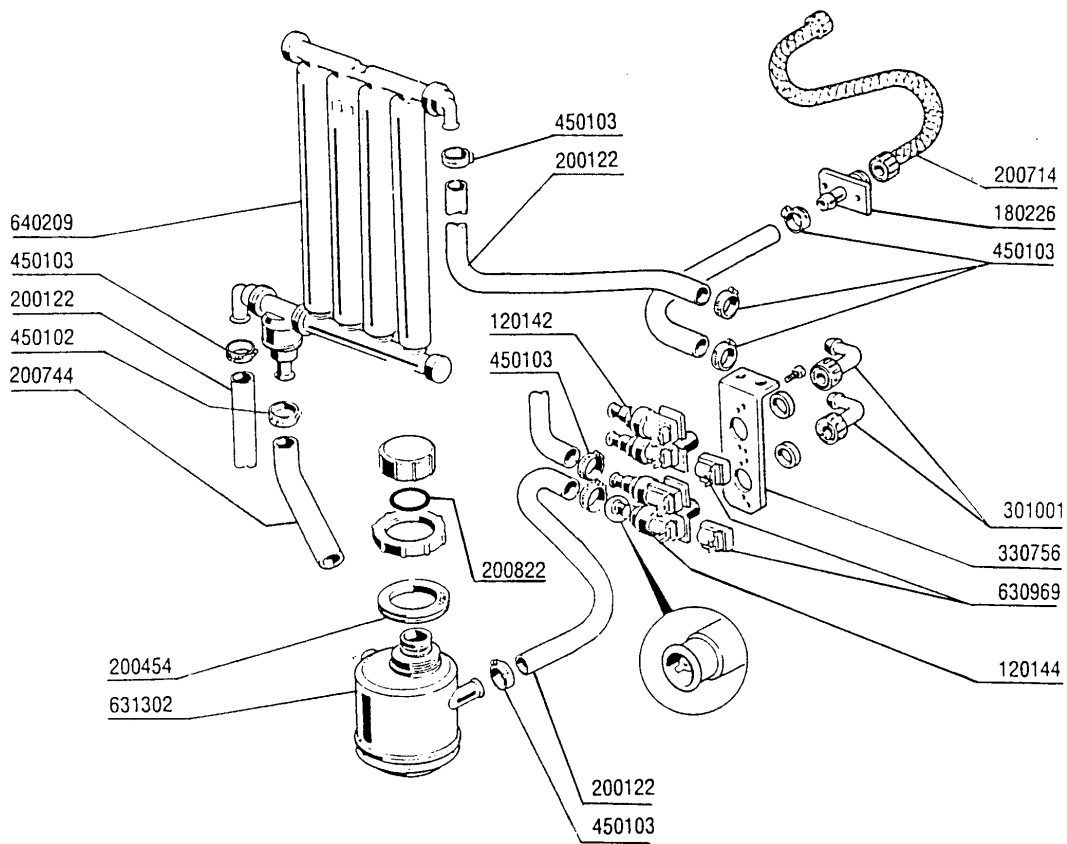
4 - Rinse assembly



4 - Rinse assembly

CODE	DESCRIPTION
110366	HEAT.ELEM./BOILER 3200W 230V
120146	SOLENOID VALVE 180Ø TYPE 2 WAY
120501	THERMOSTAT 30/90ØC
120523	SAFETY THERMOSTAT 110Ø
160108	INJECT.INLET HOSE D.8X5
160715	COVER FOR RINSE AID CONTAINER
180403	TEE-NIPPLE F2-F300-B10-11
190106	RINSE AID CONTAINER SUPP. B23-
190802	RINSE.AID CONTAINER B20-B41S
191040	FRAME F.THERMOSTAT KNOB
200117	RUBBER HOSE 7X16
200122	HOSE 11X19
200415	AIR TRAP GASKET -F2 18,5X10X3
200714	GLASSWASHER INLET HOSE
200740	RINSE CONNECTING HOSE B12 ‡
200820	O-RING151 46,99X5,33X57,6
270101	HEXAGON LOCK NUT 1/2"
330334	BOILER GLASSWASHER B10-B19T
331482	BRACKET FOR 2 THERMOST. B-F20
340484	SHAFT F. RINSE AID CONTAINER
380309	RINSE NOZZLES B31-B13-19T
380604	RINSE TUBE B13-B19T
450102	CLAMP FE ZN 11-17 H=9
450103	CLAMP FE ZN. 13-20 H=9
450115	ELASTIC CLAMP D.8,3/7,8
450315	KNOB F. THERMOSTAT 90Ø
450812	SPRING FOR SPINDLE (CODE NO.34
460502	GASKET 30X21X2
510408	CONNECTION 90Ø 1/2"
620120	RINSE AID INJECTOR
620209	INLET WATER FILTER
630969	COIL S4216 220/50HZ

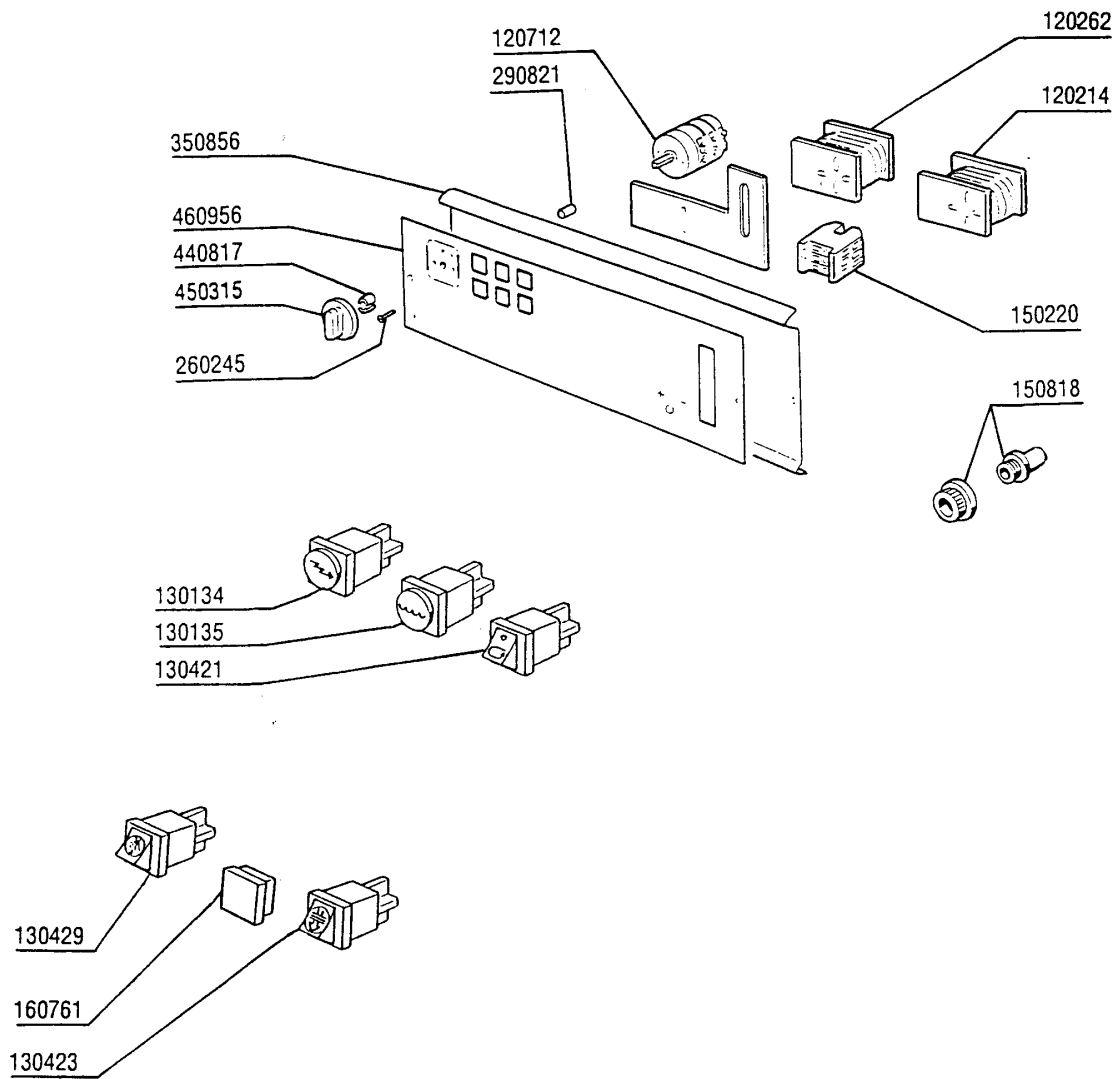
5 - Water softener



5 - Water softener

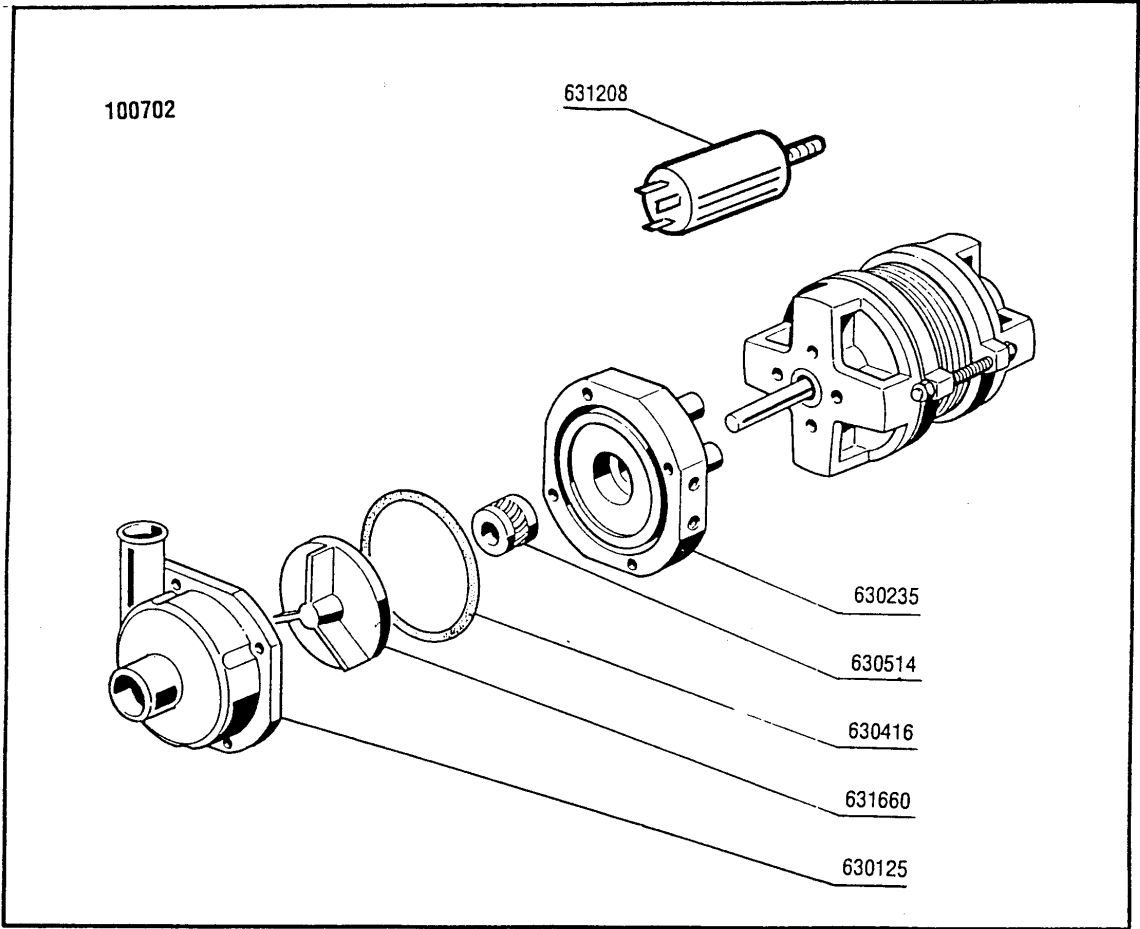
CODE	DESCRIPTION
120142	SOLENOID VALVE 90°2WAYS 220V
120144	SOLENOID VALVE FCA 20 LT TYPE
180226	CONNECTING FLANGE F. GLASSWASH
200122	HOSE 11X19
200454	GASKET F. SALT CONT.
200714	GLASSWASHER INLET HOSE
200744	HOSE FOR WATER SOFTENER B12†
200822	PLUG GASKET OF SALT CONTAINER
301001	NIPPLE FE-ZN 3/4"
330756	SOLENOID VALVE BRACKET BT
450102	CLAMP FE ZN 11-17 H=9
450103	CLAMP FE ZN. 13-20 H=9
630969	COIL S4216 220/50HZ
631302	SALT CONTAINER
640209	WATER SOFTENER (4 COLUMNS)

6 - Control Box B14T



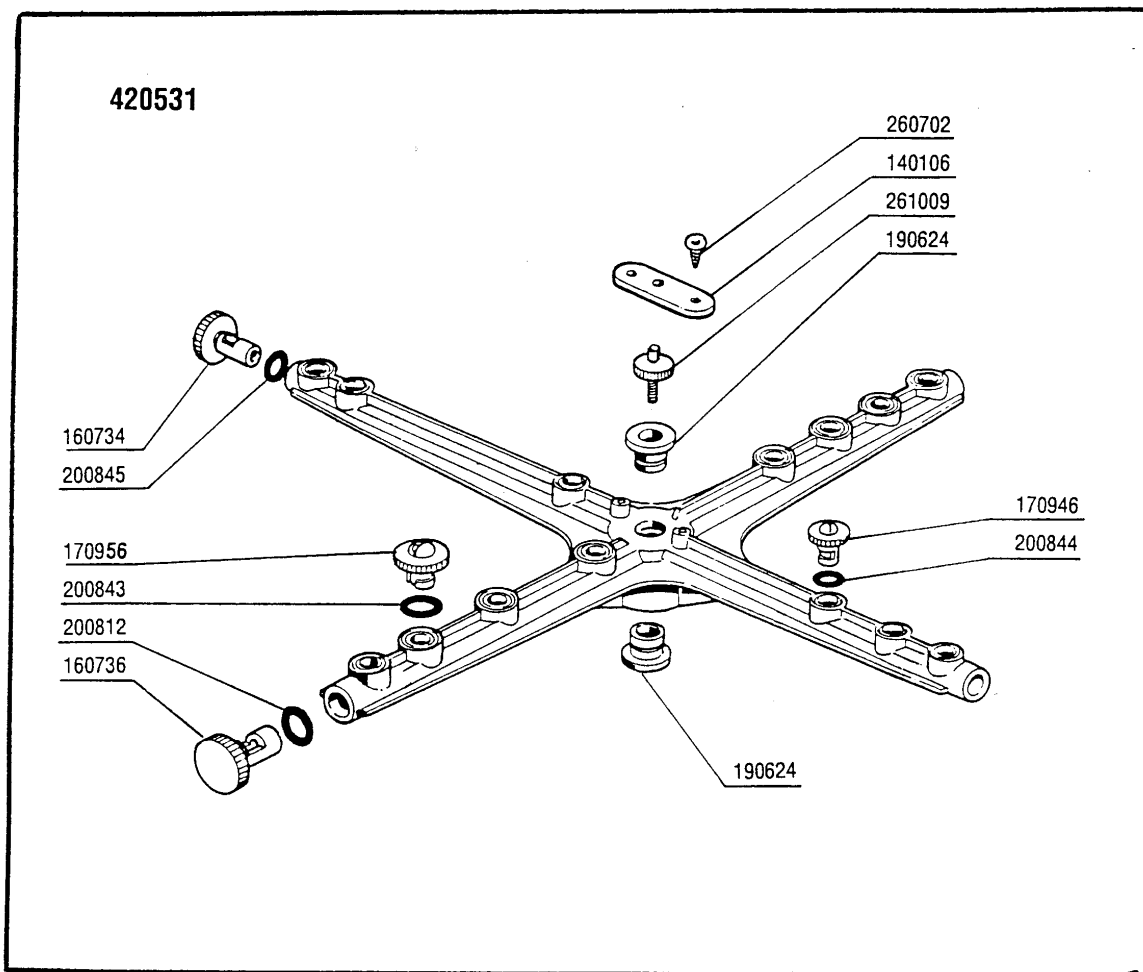
6 - Control Box B14T

CODE	DESCRIPTION
120214	TIMER REGENERATION 20'V220 (4
120262	TIMER IMP. 4 CAMS 120"
120712	2-POLES SWITCH 16AMP
130134	PILOT LAMP 220V
130135	PILOT LAMP: MACHINE READY B10>
130421	SWITCH CYCLE START WORKING MAC
130423	PUSH BUTTON REGENERATION B-BT
130429	PUSH BUTTON COLD RINSE B11T-B1
150220	TERMINAL BLOCK 3P 16MM 8VA
150818	CABLE HOLDER PG 13,5
160761	PLUG (SEE 460309)
260245	SPECIAL SCREW TC 3,5X16
290821	DISTANCE PIECE FOR SWITCH
350856	PANEL SUPPORT B13-B14
440817	SNAP RING LSCB/1853/17/00
450315	KNOB F. THERMOSTAT 90Ø
460956	CONTROL PANEL B13-B14



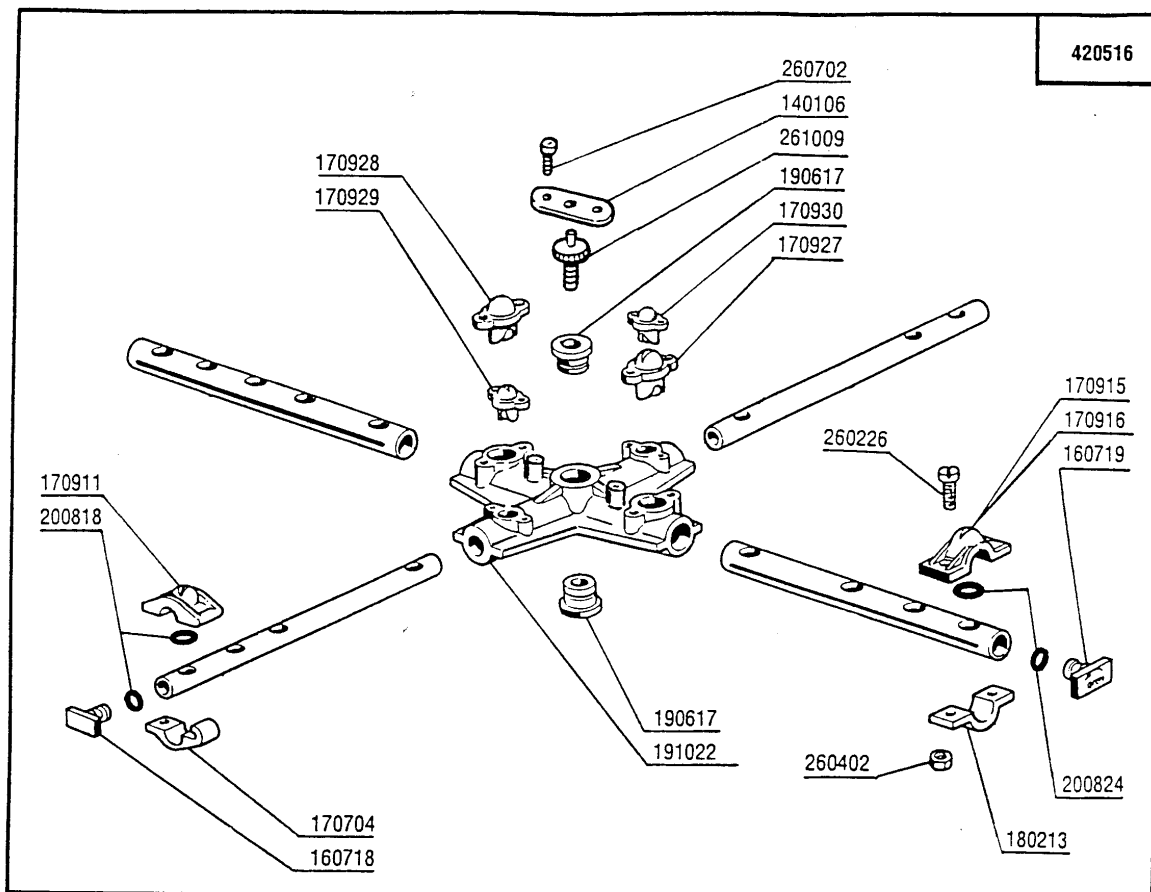
7 - Pump

CODE	DESCRIPTION
100702	PUMP HP 0,3 220/240-50-2229
630125	VOLUTE 0,12/0,3(2212-29)
630235	PUMP COVER 0,12/0,3 2212-19
630416	OR FOR VOLUTE 0,12/0,3
630514	PUMP SEAL FIR4208
631208	CONDENSER 5MF.450V
631660	IMPELLER F.2229 HP 0,3-50 HZ



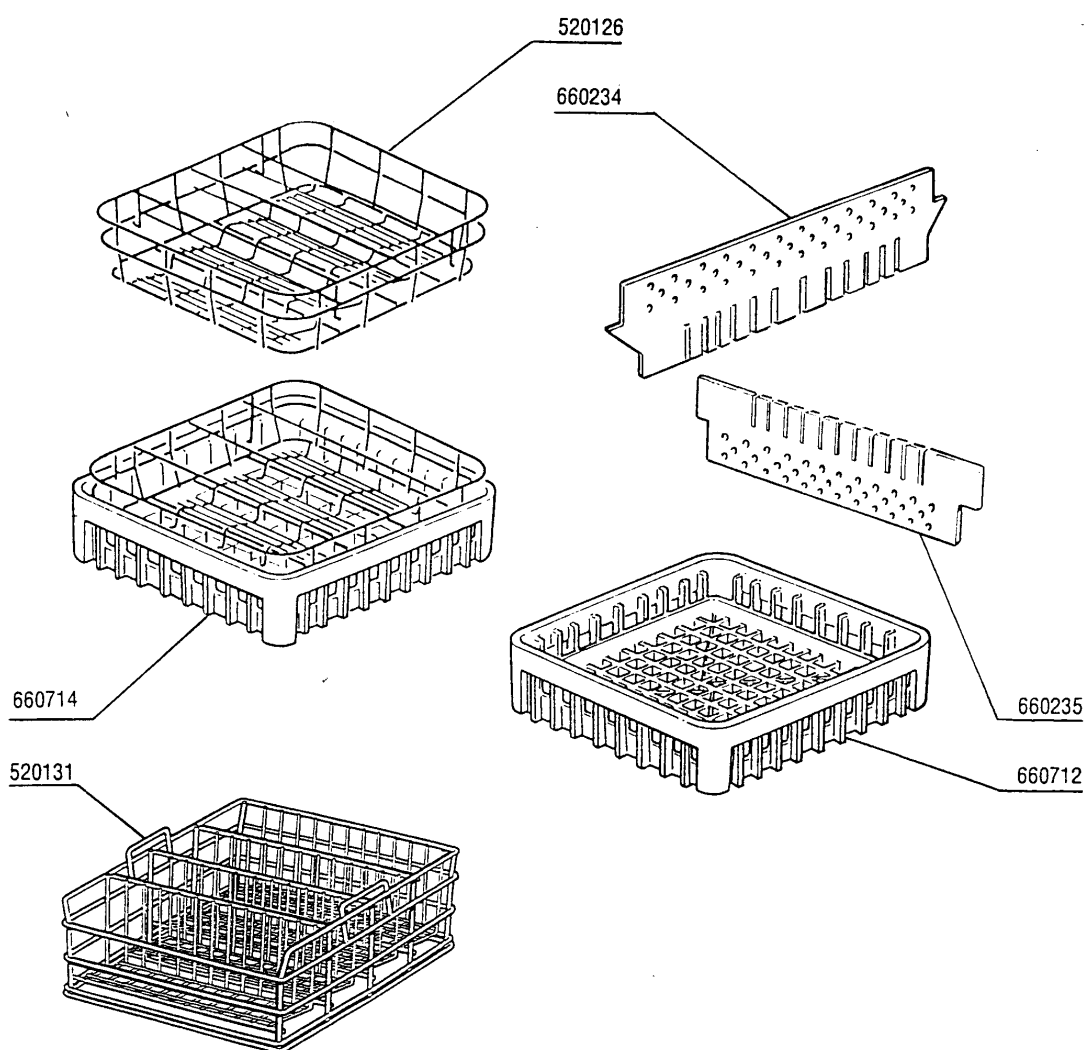
8 - Wash arm

CODE	DESCRIPTION
140106	PLATE F.CLAMP SCREW/WASH-RINSE
160734	END PLUGS RINSE ARM
160736	WASH ARM PLUG F45
170946	RINSE JET/RINSE ARM B-F
170956	WASH JET/WASH ARM B-F20
190624	BUSH FOR PLASTIC ARM F45
200812	O-RING 1,78X17,17X20,73
200843	O RING 2X13X17
200844	O RING 2X9,5X13,5
200845	O RING 109 2,62X9,13X14,37
260702	SELF-TAPPING SCREW 4,2X9,5 DIN
261009	RETAIN.SCREW FOR WASH-RINSE AR
420531	PLASTIC WASH-RINSE ARM F20-B



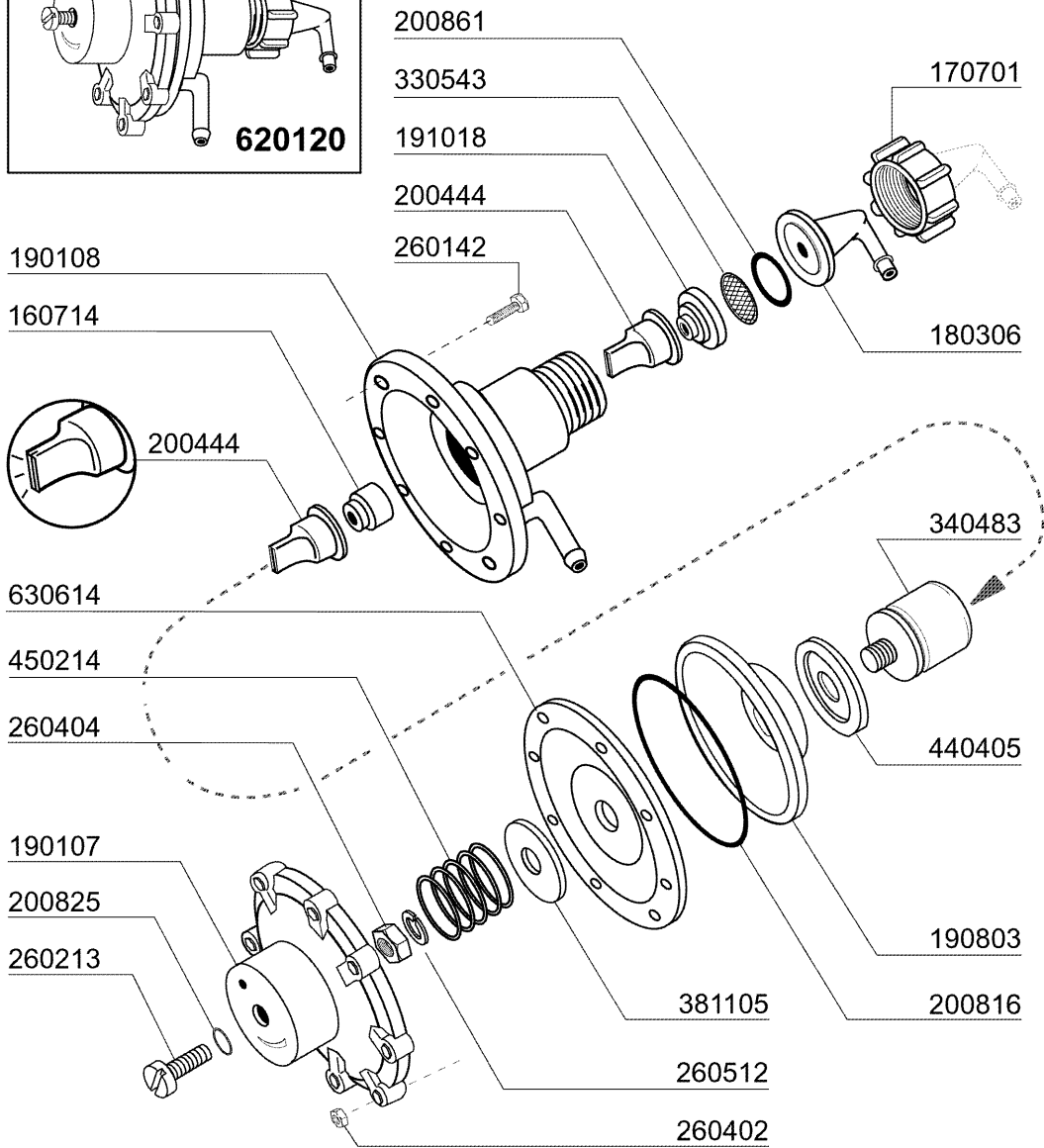
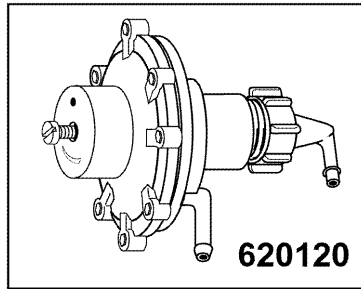
9 - Wash arm

CODE	DESCRIPTION
140106	PLATE F.CLAMP SCREW/WASH-RINSE
160718	PLUG F. RINSE ARM F2-C34M
160719	PLUG FOR WASH ARM D.18
170704	RINSE NOZZLE BOTTOM F-B-C33
170911	RINSE JET B23-F2-C34
170915	RIGHT JET B-F
170916	LEFT JET B-F
170927	WASH JET F2-C-GRAY
170928	IDLE JET F2-C-GRAY
170929	RINSE JET F2-C-GRAY
170930	IDLE JET F2-C-GRAY
180213	FLANGE F.JET LOCKING F2-C34
190617	BUSH
191022	WASH ARM CENTRAL CROSS F-B
200818	O-RING 1,78 X 6,75 X 10,31
200824	O-RING 1,78X12,42X15,98
260226	STAINL.ST TCP SCREW 4X12 A2 UN
260402	STAINLESS STEEL NUT D4 UNI 55
260702	SELF-TAPPING SCREW 4,2X9,5 DIN
261009	RETAIN.SCREW FOR WASH-RINSE AR
420516	LOWER WASH-RINSE ARM B-BT-BTM



10 - Rack

CODE	DESCRIPTION
520126	GLASS INSERT (400X400)
520131	GLASS RACK 40X40 H270
660234	UPPER INSERT FOR 16-25-36 GLAS
660235	LOWER INSERT FOR 16-25-36 GLAS
660712	BASE RACK 400X400
660714	GLASS RACK (400X400)



11 - Rinse aid injector

CODE	DESCRIPTION
160714	PLUG FOR RINSE AID INJECTOR MO
170701	LOCK NUT 1/2" F.INJECTOR
180306	NIPPLE F.RINSE AID INJECTOR
190107	COVER FOR RINSE AID DISPENSER
190108	VOLUTE FOR RINSE AID DISPENSER
190803	GASKET SUPPORT RING F.INJECT
191018	FILTER SUPPORT RINSE AID INJEC
200444	SUCTION VALVE RINSE INJECTOR
200816	O-RING 2,5X59,2X64,2 RINSE INJ
200825	O-RING 3X5X11 RINSE INJECTOR
200861	O-RING 14X18X2
260142	SCREW TE 4X16
260213	SCREW TCP 5X25
260402	STAINLESS STEEL NUT D4 UNI 55
260404	STAINLESS STEEL NUTS D6 UNI 55
260512	ST/ST GROWER WASHER D6
330543	FILTER RINSE AID INJECTOR D.17
340483	PISTON FOR RINSE AID DISPENSER
381105	DIAPHRAGME DISC
440405	GASKET FOR RINSE AID INJ.
450214	SPRING RINSE AID INJECTOR
620120	RINSE AID INJECTOR
630614	DIAPHRAGM RINSE INJECTOR